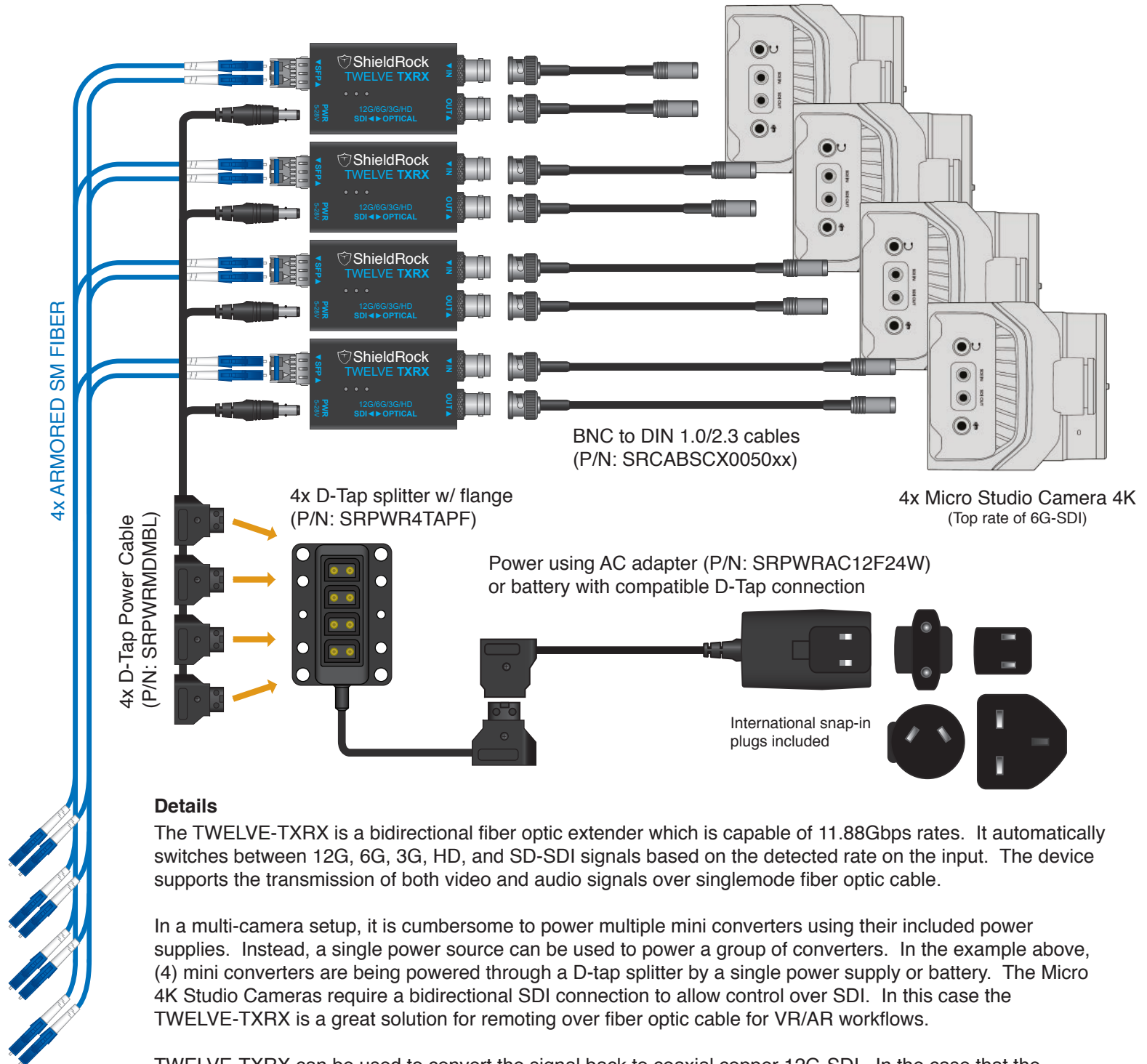


Bidirectional Optical-12G Multi-Camera Power



SLDRK
APPNOTE

12G SDI



Details

The TWELVE-TXXR is a bidirectional fiber optic extender which is capable of 11.88Gbps rates. It automatically switches between 12G, 6G, 3G, HD, and SD-SDI signals based on the detected rate on the input. The device supports the transmission of both video and audio signals over singlemode fiber optic cable.

In a multi-camera setup, it is cumbersome to power multiple mini converters using their included power supplies. Instead, a single power source can be used to power a group of converters. In the example above, (4) mini converters are being powered through a D-tap splitter by a single power supply or battery. The Micro 4K Studio Cameras require a bidirectional SDI connection to allow control over SDI. In this case the TWELVE-TXXR is a great solution for remoting over fiber optic cable for VR/AR workflows.

TWELVE-TXXR can be used to convert the signal back to coaxial copper 12G-SDI. In the case that the switching hardware supports SFP+ connections natively, the fiber cable can be connected directly. The 12G SFP+ from ShieldRock (P/N: SRFBR-12G-TXXR) are recommended to use on the host side also, and are available to be purchased separately.